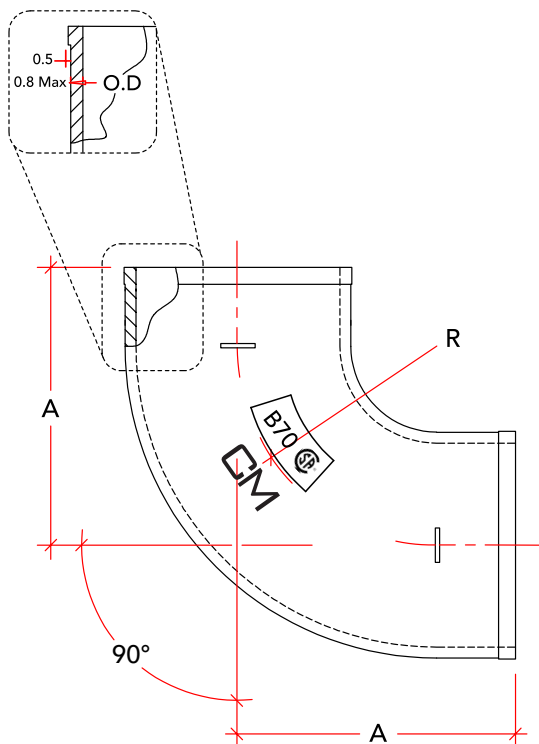


90 DEGRES J.M
M.J 90 DEGREE



Unité/ Unit	Taille/ Size	A	R	Codes CM-CANADA/ CM-CANADA codes	Codes universels/ universal codes
in mm	1-1/2 38	2-7/8 73	1-3/4 45	MJ90X112	31410
in mm	2 50	3-1/8 79	2 51	MJ90X2	31420
in mm	3 75	4-1/8 105	3 76	MJ90X3	31430
in mm	4 100	5-1/8 130	4 102	MJ90X4	31440
in mm	6 150	6-7/8 175	5 127	MJ90X6	31460
in mm	8 200	8-1/8 206	6 152	MJ90X8	31480
in mm	10 250	9-1/8 232	7 178	MJ90X10	31400
in mm	12 300	12-3/4 324	10 254	MJ90X12	31380
in mm	15 375	14-3/4 375	11-1/2 292	MJ90X15	31390



www.cm-canada.ca



514 378-0049

2024-One World Supply Inc. Tous droits réservés/All right reserved

