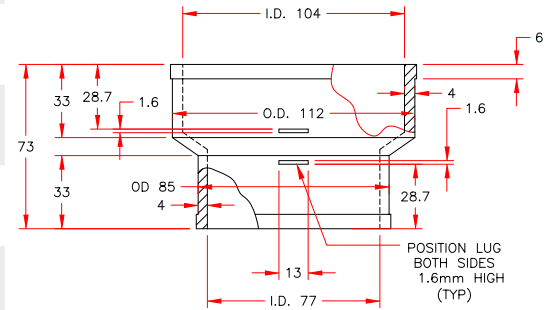


REDUIT J.M M.J FITTING REDUCER



Unité/ Unit	Taille/ Size	A	A _A	B	B _B	F	Codes CM-CANADA/ CM-CANADA codes	Codes universels/ universal codes
in mm	3.2 75.50	1-1/8 29	1-1/8 29	1-1/2 38	1-1/2 38	3-5/8 92	MJRED3X2	60320
in mm	4.2 100.50	1-1/8 29	1-1/8 29	1-1/2 38	1-1/2 38	3-5/8 92	MJRED4X2	60420
in mm	4.3 100.75	1-1/8 29	1-1/8 29	1-1/2 38	1-1/2 38	3-5/8 92	MJRED4X3	60430
in mm	6.2 150.50	1-1/8 29	1-7/16 37	1-7/16 37	1-5/16 43	4 102	MJRED6X2	60620
in mm	6.3 150.75	1-1/8 29	1-7/16 37	1-3/4 45	2-1/4 57	4-5/8 118	MJRED6X3	60630
in mm	6.4 150.100	1-1/8 29	1-1/2 38	1-5/16 33	1-11/16 43	3-7/8 98	MJRED6X4	60640
in mm	8.4 200.100	1-1/8 29	2 50	2 51	2-3/16 64	5-3/16 132	MJRED8X4	60840
in mm	8.6 200.150	1-7/16 37	2 50	1-7/8 47	2-3/8 60	4-7/8 124	MJRED8X6	60860
in mm	10.4 250.100	1-1/8 29	2 50	2-7/16 62	3 77	8-1/8 206	MJRED10X4	61040
in mm	10.6 250.150	1-7/16 37	2 50	2-7/16 62	3 77	7-1/16 179	MJRED10X6	61060
in mm	10.8 250.200	2 50	2 50	2-7/16 62	3 77	6-1/8 152	MJRED10X8	61080
in mm	12.4 300.100	1-1/8 28.7	2 50	2-9/16 40	2-7/16 62	6-1/2 165	MJRED12X4	61090
in mm	12.6 300.150	2-9/16 37	2 50	2-1/32 52	2-9/16 65	6-1/2 165	MJRED12X6	61100
in mm	12.8 300.200	2 50	2 50	3-1/16 78	3-1/16 78	7-1/8 181	MJRED12X8	61110
in mm	12.10 300.250	2 50	2 50	3-9/16 90	3-9/16 90	7-9/16 192	MJRED12X10	61120
in mm	15.4 375.100	1-1/8 28.7	2 50	1-3/8 35	2-13/64 56	7 178	MJRED15X4	61130
in mm	15.6 375.150	1-7/16 37	2 50	1-7/8 48	2-3/8 61	7-1/8 181	MJRED15X6	61140
in mm	15.8 375.200	2 50	2 50	2-3/8 61	2-3/8 61	7 178	MJRED15X8	61150
in mm	15.10 375.250	2 50	2 50	3 76	3 76	7-9/16 192	MJRED15X10	61160
in mm	15.12 375.300	2 50	2 50	3-3/8 87	3-3/8 87	7-3/4 197	MJRED15X12	61170



www.cm-canada.ca



514 378-0049

2024-One World Supply Inc. Tous droits réservés/All right reserved

